

AURORALIGHT

PROJECT: _____

SKU #: _____

TYPE: _____

LIGHTHAUS

IGR550205-0000

The Lighthouse is a high-output, low-energy in-grade well light that features unmatched aiming ability. The quality of materials, and workmanship of this device are impressive, as is the performance.

- MR16 Base
- Thermally regulated for peak performance
- Ideal for driveways, hardscape, and wall-washing



CONFIGURATOR:

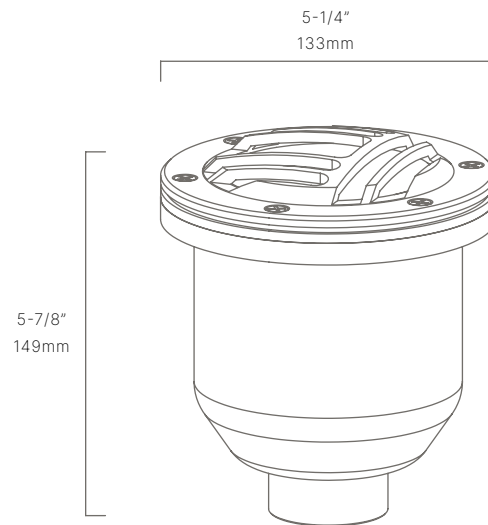
IGR550205-0000	FINISH
() = Most common configuration	<input type="checkbox"/>
	(NAT) Natural Brass
	(BLP) Bronze Living Patina
	(BLPX) Extra Dark BLP
	(NI) Nickel PVD

AVAILABLE FINISHES:



FIXTURE DIMENSIONS	D5-1/4" x H5-7/8"
LIGHT SOURCE	MR16 Base, Not Included
VOLTAGE	12V
TRANSFORMER	12V AC/DC (Supplied by others)
MOUNT	Included Copper Housing
ACCESSORIES	Yes, Not Included
FINISH	Included Natural Brass
MATERIAL	Brass & Copper
WIRE LENGTH	24"
LOCATION	Interior & Exterior Wet
CERTIFICATIONS	UL, IP66, IP67, IC, Drive Over

*For complete warranty terms, please visit: www.auroralight.com/warranty/



P. 760.931.2910

O. 2742 Loker Ave. W Carlsbad CA 92010

W. www.auroralight.com

MADE IN USA
WITH DOMESTIC & IMPORTED MATERIALS



AURORALIGHT

PROJECT: _____

SKU #: _____

TYPE: _____

ADD-ONS

ACCESSORIES

CPK004305

Concrete Pour Kit

*For complete details, please visit auroralight.com/mounts/

ACCESSORIES



CPK004305

P. 760.931.2910

O. 2742 Loker Ave. W Carlsbad CA 92010

W. www.auroralight.com

MADE IN USA
WITH DOMESTIC & IMPORTED MATERIALS

